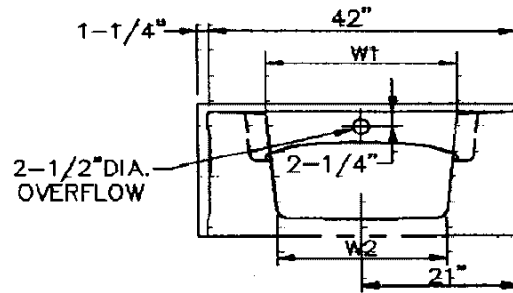
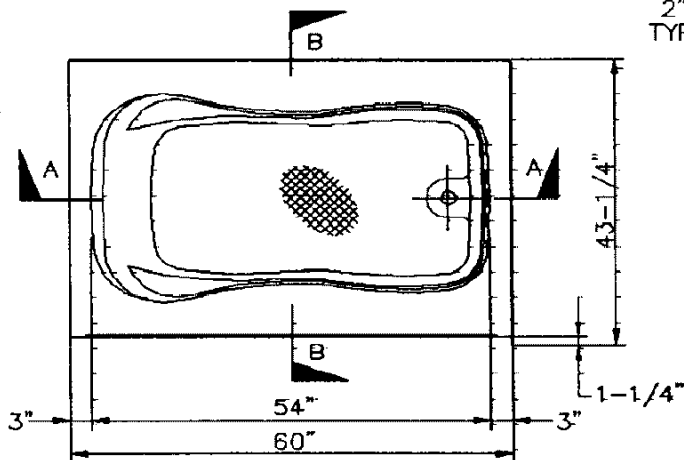


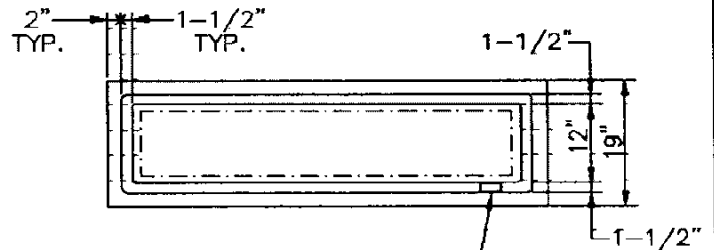
SECTION 'A-A'



SECTION 'B-B'



PLAN VIEW



BRAND/CODE IDENTIFICATION

SKIRT SECTION

SUMP DIMENSIONS

TOP: L1=54" W1=26"  
 BOTTOM: L2=43-15/16" W2=23"  
 TOP OF DECK TO  
 TOP OF DRAIN: TD=17"

**LASCO**

*Luxury Bathware  
 Fiberglass Fixtures*

60" x 43-1/4" x 20-1/4"  
 MARRATTA

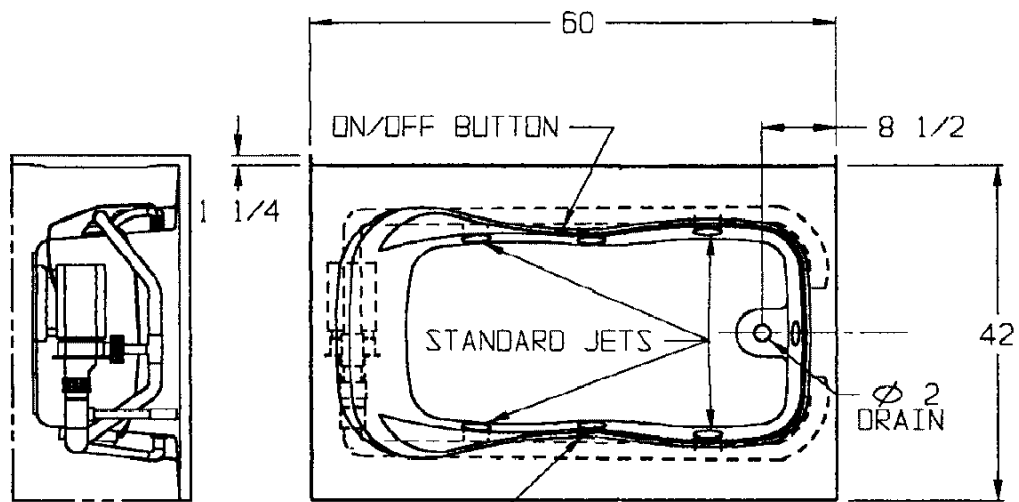
MODEL # 7260420LX

DWG. #A-20-4264-4

SCALE: 1/2" = 1'-0"

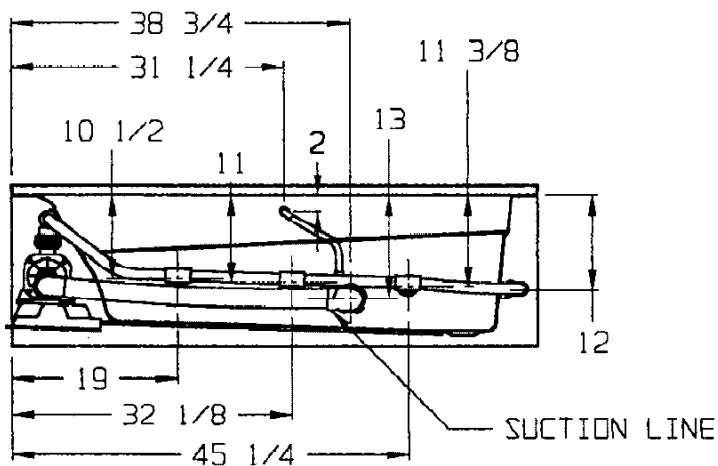
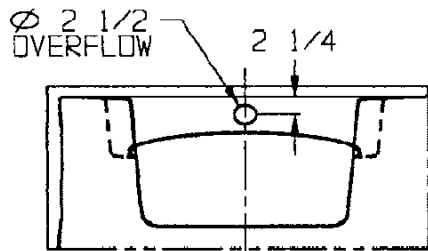
REV.

7/99



AIR CONTROL  
2 PLACES

**PLAN VIEW**



**PROFILE VIEW**

**LASCO**  
**BUILDER'S CHOICE**  
**WHIRLPOOL**

3255 E. Miraloma Ave.  
Anaheim, CA 92806

MARRATTA  
MODEL NO. 7260421

7/99