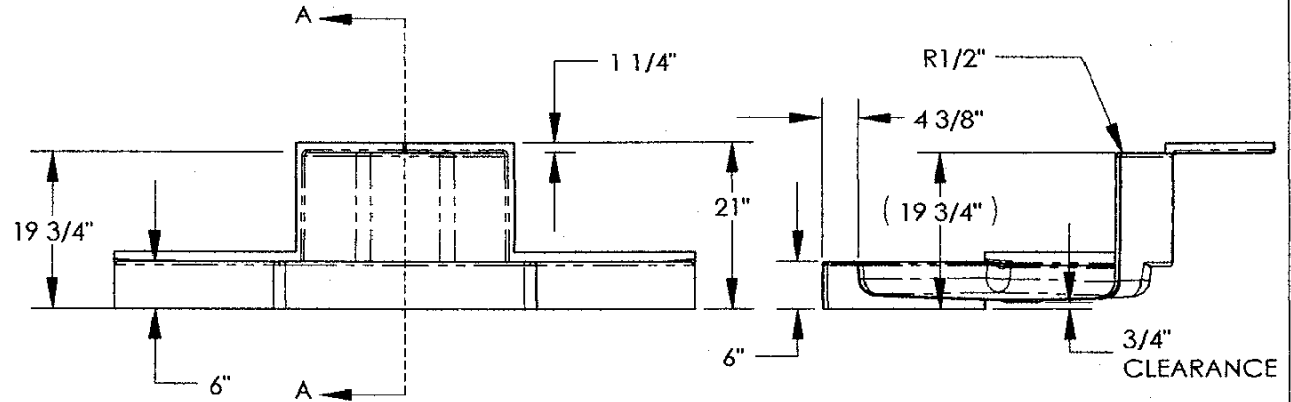
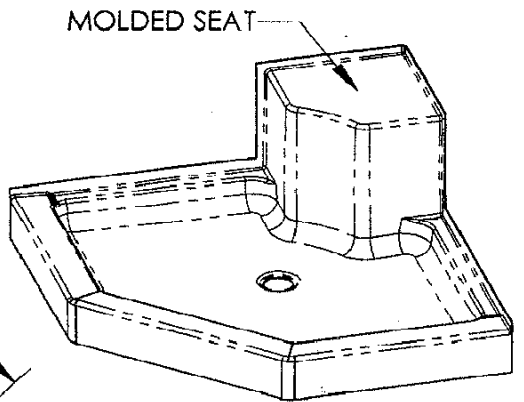


REVISIONS			
REV.	DESCRIPTION	DATE	APPROVED

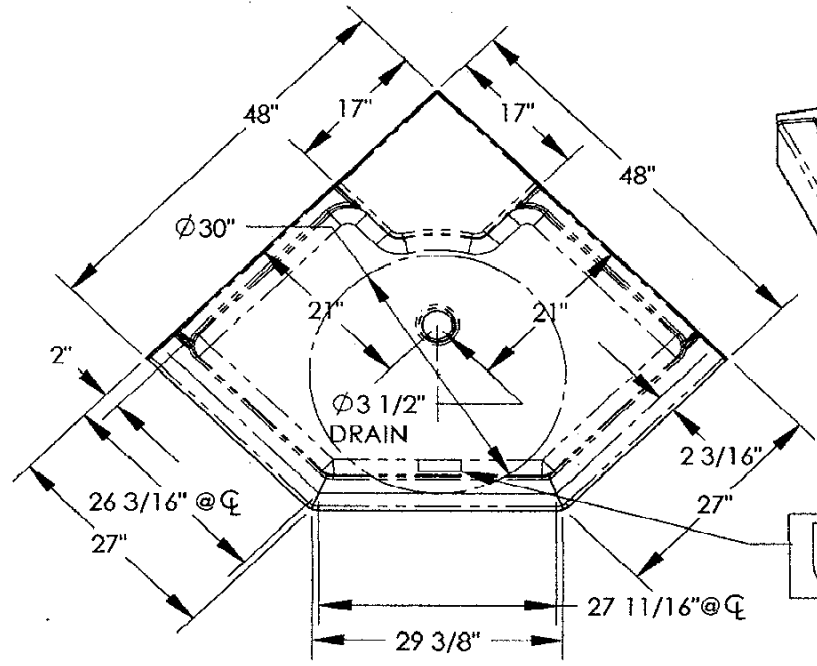
A CHANGED REINF. TO OSB FROM BALSA 1/00



SECTION A-A



ISOMETRIC VIEW FOR REFERENCE ONLY DO NOT SCALE



UPC LASCO 4848-SNEO

UNLESS OTHERWISE SPECIFIED DIMENSIONS ARE IN INCHES. TOLERANCES ARE:

FRACTIONS	DECIMALS	ANGLES
± X/X	.XX ± .XX	± X°
	.XXX ± .XXX	

APPROVALS	DATE
DRAWN : V.CABRERA	11/20/98
CHECKED : R. TORRES	11/20/98

LASCO Bathware 3255 East Miraloma Ave. Anaheim, CA 92806

TITLE 4848-SNEO 48" x 48" x 19 1/2" Neo-angle Shower Pan

MATERIAL FINISH

CUSTOMER CONTRACTOR

SIZE A DWG. NO. A-10-4848SNEO-55-0001-S REV. 1/00

DO NOT SCALE DRAWING

SCALE: 1" = 20" SHEET 1 OF 2